



Mitteilung über Produktänderung / Product Change Notification

Datum: 04.05.2015

Product / Product-Family: **UXP / UPT (see datasheets attached)**

Beschreibung der Änderung: Wechsel des Innen-Gehäuse Materials
Description of Change: change of material for inner housing

Art der Änderung: Materialwechsel
Type of Change change of material

Crastin HTI 668FR → Crilon TSG-30/4 V0

Grund der Änderung: Aktuell verwendetes Material (Crastin) läuft aus
Reason of Change: Actual used material is getting obsolete

Einführungsdatum: Voraussichtlich im Jänner 2016
Implementation date: Estimated in January 2016

Ausstellende Person / Abteilung: Franz Konrad, Quality Manager
Originator:

Kundeninformation: Auf Kundenwunsch können Erstmusterprüfberichte erstellt werden.
Bitte sehen Sie die Material Vergleichstabelle im Anhang.
Customer information: First Article of Inspection reports available on request.
Enclosed please find the material comparison table.

Bitte wenden Sie sich gerne an uns, sollten Sie weitere Fragen haben!
Please feel free contacting EBG in case you have any further questions!

Franz Konrad, QM

Ultra-High-Power Resistors

Series UXP 300

300 W Power Resistor, Non-Inductive Design

Mainly used as a snubber resistor to compensate the C-R peaks in traction power supplies.

General Characteristics

Electric support:

- High alumina ceramic metalized on top side with EBG METOXFILM placed on a solid A1 heat distribution plate for perfect connection to the main heat sink.

Encapsulation:

- Special resin-filled epoxy casing with large creeping distance to mass, large air distance between the terminals and high insulation resistance (CTI 600).

Resistance Element:

- Special design for perfect current yield over the entire resistor area.

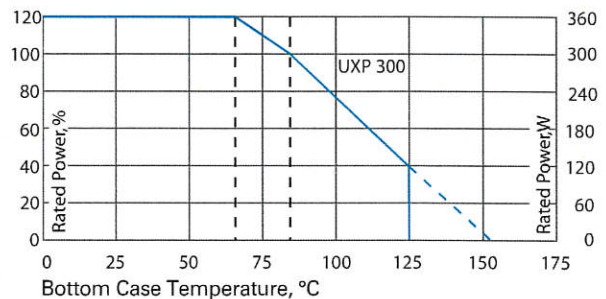
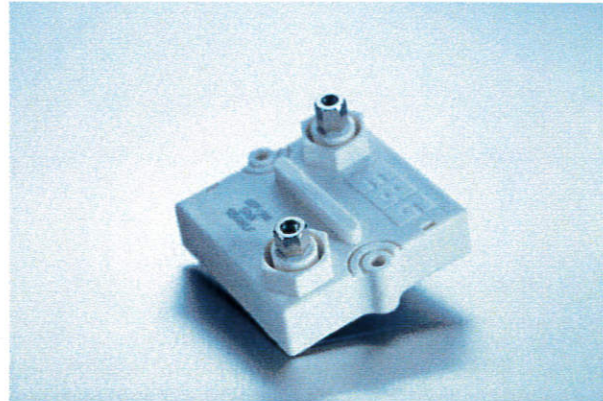
Contacts:

- Easy load connecting with M4 or M5 screws. (1/2 inch thread terminals upon special request)
- Connector height (M+N) available from 25 to 42 mm.
- Various sleeves for increased creeping distance up to 85 mm or potted cable connections are available upon special request.
- The model UXP 300 introduced on this page can be changed according to customer specification.

Please note that almost all of our UXP customers have their own custom designed drawing. Therefore please do not hesitate to discuss your special need with the local representative of EBG.

Specifications

- Resistance values: 0.5 Ω to 1 MΩ
- Resistance tolerance: ±5% to ±10% (1% on special request)
- Temperature coefficient: ±150 ppm/°C (others upon request)
- Maximum working voltage: 5,000 VDC; higher voltage upon request, not exceeding max. power
- Short time overload: 1.5x rated power = 450 W at 70°C for 10 sec, ΔR = 0.4% max.
- Power rating: 300 W at 85°C bottom case temperature.
- Electric strength voltage: 6 kVrms, 50 Hz, 1 min., up to 8,000 Vrms upon special request
- Single shot voltage: up to 12 kV norm wave (1.5/50 μsec)
- Partial discharge: 3 kVrms < 10 pC, up to 5 kV upon special request
- Insulation resistance: 10 GΩ Min. at 500 V
- Creeping distance: 42 mm min.
- Air distance: 14 mm min.
- Inductance: -80 nH (typical)
- Capacity/mass: -110 pF
- Capacity/parallel: -40 pF
- Operating temperature: -55°C to +150°C
- Mounting - max. torque for contacts: 2 Nm
- Mounting - max. torque: 1.8 Nm M4 screws
- Dimensions: please see datasheet UXP-600

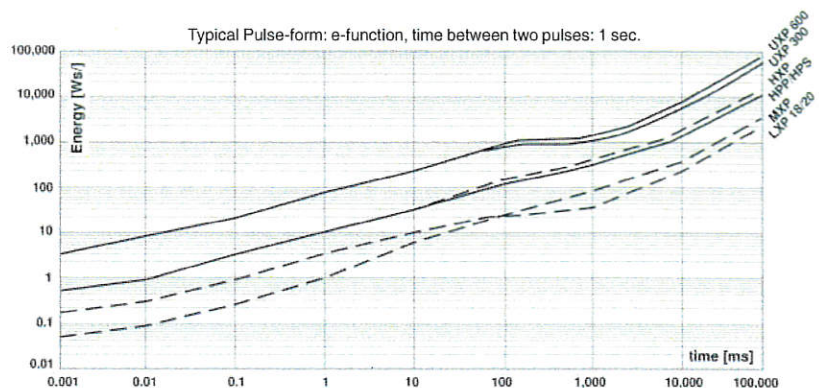


Derating (thermal resist.) UXP 300: 4.35 W/°K (0.23°K/W)

Power rating: 300 W at 85°C bottom case temp.*

Please ask for detailed mounting procedure!

*This value is only applicable when using a thermal conduction to the heat sink Rth-cs<0.025°K/W. This value can be obtained by using a thermal transfer compound with a heat conductivity of 1 W/mK. The flatness of the cooling plate must be better than 0.05 mm overall. Surface roughness should not exceed 6.4 μm.



The above spec. sheet features our standard products. For further options, please contact our local EBG representative or contact us directly. For updated information, please visit our website!

Ultra-High-Power Resistors

Series UXP 600

600 W Resistor · US Patent-No. 5,355,281

For variable speed drives, power supplies, control devices, robotics, motor control and other power designs, the easy mounting fixture guarantees an auto-calibrated pressure to the cooling plate of about 120 to 160 N.

General Characteristics

Electric support:

- High alumina ceramic metalized with EBG ALTOX film on the bottom for better heat transfer and optimum discharge.

Encapsulation:

- Special resin-filled epoxy casing with large creeping distance to mass, large air distance between the terminals and high insulation resistance (CTI 600).

Resistance Element:

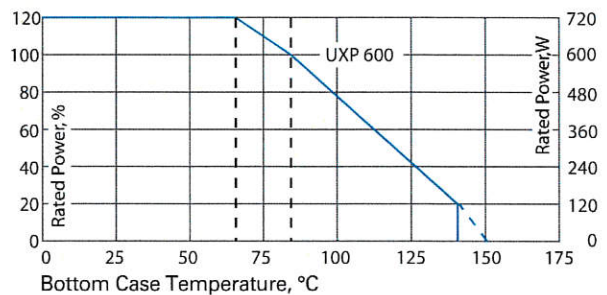
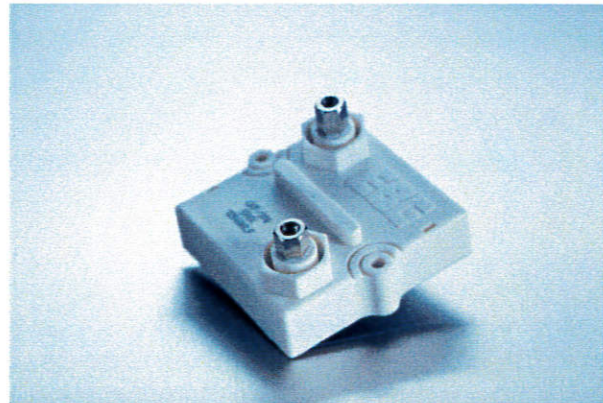
- Special design for low inductance and capacitance values. The element employs our special METOXFILM, which demonstrates stability while covering high wattage and pulse loading.

Contacts:

- Easy load connecting with M4 or M5 screws. (Inch thread terminals upon special request.)
- Connector height (M+N) available from 25 to 42 mm.
- Various sleeves for increased creeping distance up to 85 mm or potted cable connections are available upon special request
- Materials in accordance with UL94-V0

Specifications

- Resistance values: 0.5 Ω to 1 MΩ
- Resistance tolerance: ±5% to ±10% (1% on special request)
- Temperature coefficient: ±150 ppm/°C (others upon request)
- Maximum working voltage: 5,000 V DC, higher voltage upon request, not exceeding max. power
- Short time overload: 1,000 W at 70°C for 10 sec., ΔR = 0.4% max.
- Power rating: 600 W at 85°C bottom case temperature.
- Peak current: up to 1,500 A depending on pulse length and frequency. Please ask for details!
- Electric strength voltage: 6 kVrms, 50 Hz, up to 12 kVrms or up to 20 kV DC on special request.
- Single shot voltage: up to 12 kV norm wave (1.5/50 μsec)
- Partial discharge: 4 kVrms, <10pC, up to 7 kV upon special request
- Insulation resistance: 10 GΩ min. at 500 V
- Creeping distance: 42 mm min.
- Air distance: 14 mm min.
- Inductance: -80 nH (typical)
- Capacity/mass: -110 pF
- Capacity/parallel: -40 pF
- Operating temperature: -55°C to +150°C
- Mounting - max. torque for contacts: 2 Nm
- Mounting - max. torque: 1.8 Nm M4 screws
- For pulse power details, please see UXP-300 datasheet



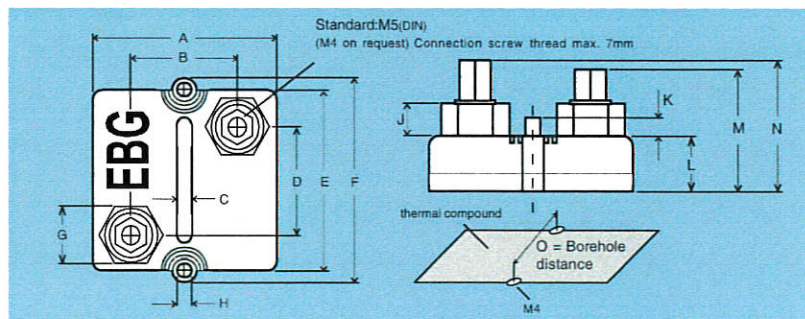
Derating (thermal resist.) UXP 600: 8.33 W/°K (0.12°K/W)

Power rating: 600 W at 85°C bottom case temp. *

Please ask for detailed mounting procedure!

* This value is only applicable when using a thermal conduction to the heat sink $R_{th-cs} < 0.025^{\circ}K/W$. This value can be obtained by using a thermal transfer compound with a heat conductivity of 1 W/mK. The flatness of the cooling plate must be better than 0.05 mm overall. Surface roughness should not exceed 6.4 μm.

Test	Method	Typical results
Short time overload	1,000 W/10sec	0.4%
Humidity steady state	56 days/40°C/95%	0.25%
Temp. cycling	-55/+125/5cycles	0.20%
Shock	40g/4,000 times	0.25%
Vibrations	2-500Hz/10g	0.25%
Load life 3,000cyl	Pn 30 min. on / 30 min off	0.40%
Terminal strengths f. contacts	200N	0.05%



Dim.	Millimeter		Inches	
	Min.	Max.	Min.	Max.
A	59.2	60.8	2.331	2.394
B	35.8	36.2	1.409	1.425
C	4.5	5.5	0.177	0.216
D	33.8	34.2	1.331	1.346
E	57.0	58.0	2.244	2.283
F	64.2	65.8	2.527	2.591
G	17.5	18.5	0.689	0.728
H	4.05	4.3	0.159	0.169
J	6.5	7.5	0.256	0.295
K	4.5	5.5	0.177	0.216
L	14.5	15.5	0.571	0.610
M	29.5	30.5	1.161	1.201
N	31.5	32.5	1.240	1.279
O	56.8	57.2	2.236	2.252

The above spec. sheet features our standard products. For further options, please contact our local EBG representative or contact us directly. For updated information, please visit our website!

Ultra-High-Power Resistors

Series UXP 800

800 W Resistor · US Patent-No. 5,355,281

For variable speed drives, power supplies, control devices, robotics, motor control and other power designs, the easy mounting fixture guarantees an auto-calibrated pressure to the cooling plate of about 120 to 160 N.

General Characteristics

Electric support:

- High alumina ceramic metalized with EBG ALTOX film on bottom for better heat transfer and optimum discharge.

Encapsulation:

- Special resin-filled epoxy casing with large creeping distance to mass, large air distance between the terminals and high insulation resistance (CTI 600).

Resistance Element:

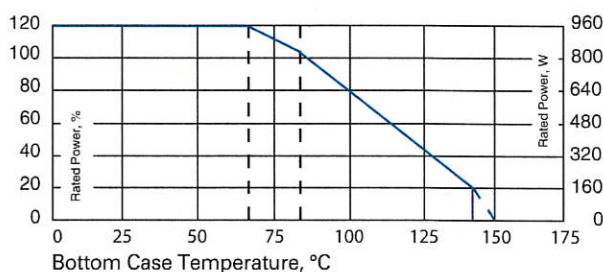
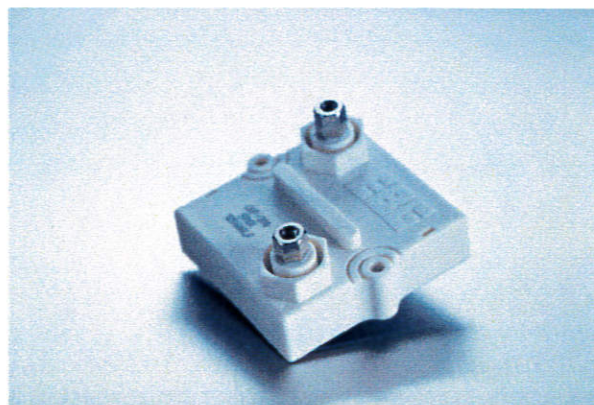
- Special design for low inductance and capacitance values. The element employs our special METOXFILM, which demonstrates stability while covering high wattage and pulse loading.

Contacts:

- Easy load connecting with M4 or M5 screws. (Inch thread terminals on special request.)
- Connector height (M+N) available from 25 to 42 mm.
- Various sleeves for increased creeping distance up to 85 mm or potted cable connections are available upon special request
- Materials in accordance with UL94-V0

Specifications

- Resistance values: 0.5 Ω to 1 MΩ
- Resistance tolerance: ±5% to ±10%
- Temperature coefficient: ±150 ppm/°C (others upon request)
- Maximum working voltage: 5,000 V DC, higher voltage upon request, not exceeding max. power
- Short time overload: 1,200 W at 70°C for 10 sec., ΔR = 0.4% max.
- Power rating: 800 W at 85°C bottom case temperature.
- Peak current: up to 1,500 A depending on pulse length and frequency
Please ask for details!
- Electric strength voltage: 6 kVrms, 50 Hz, up to 12 kVrms or up to 20kV DC on special request.
- Single shot voltage: up to 12 kV norm wave (1.5/50 μsec)
- Partial discharge: 4 kVrms, <10 pC, up to 7 kV upon special request
- Insulation resistance: 10 GΩ min. at 500 V
- Creeping distance: 42 mm min.
- Air distance: 14 mm min.
- Inductance: -80 nH (typical)
- Capacity/mass: -140 pF
- Capacity/parallel: -40 pF
- Operating temperature: -55°C to +150°C
- Mounting - max. torque for contacts: 2 Nm
- Mounting - max. torque: 1.8 Nm M4 screws



Derating (thermal resist.) UXP 800: 9.09 W/°K (0.11°K/W)

Power rating: 800 W at 85°C bottom case temp. *

Please ask for detailed mounting procedure!

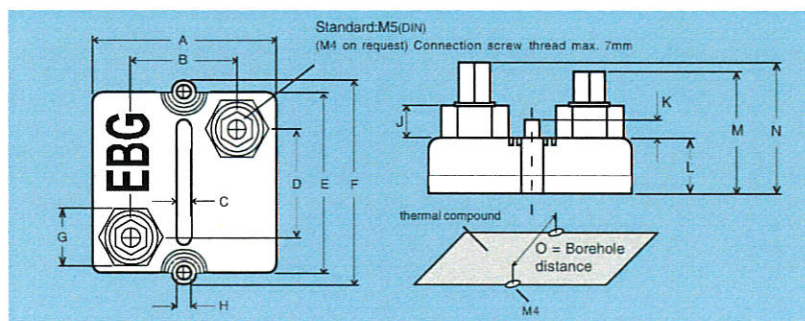
* This value is only applicable when using a thermal conduction to the heat sink Rth-cs<0.025°K/W. This value can be obtained by using a thermal transfer compound with a heat conductivity of 1 W/mK. The flatness of the cooling plate must be better than 0.05 mm overall. Surface roughness should not exceed 6.4 μm.

Pulse load capability:

See datasheet UXP-300 for pulse power capability!

Add 15% to UXP-300 for pulse curve.

Test	Method	Typical results
Short time overload	1,000 W/10sec	0.4%
Humidity steady state	56 days/40°C/95%	0.25%
Temp. cycling	-55/+125/5cycles	0.20%
Shock	40g/4,000 times	0.25%
Vibrations	2-500Hz/10g	0.25%
Load life 3,000cyl	Pn 30 min. on / 30 min off	0.40%
Terminal strengths f. Contacts	200N	0.05%



Dim.	Millimeter		Inches	
	Min.	Max.	Min.	Max.
A	59.2	60.8	2.331	2.394
B	35.8	36.2	1.409	1.425
C	4.5	5.5	0.177	0.216
D	33.8	34.2	1.331	1.346
E	57.0	58.0	2.244	2.283
F	64.2	65.8	2.527	2.591
G	17.5	18.5	0.689	0.728
H	4.05	4.3	0.159	0.169
J	6.5	7.5	0.256	0.295
K	4.5	5.5	0.177	0.216
L	14.5	15.5	0.571	0.610
M	29.5	30.5	1.161	1.201
N	31.5	32.5	1.240	1.279
O	56.8	57.2	2.236	2.252

The above spec. sheet features our standard products. For further options, please contact our local EBG representative or contact us directly. For updated information, please visit our website!

Ultra-High-Power Resistors

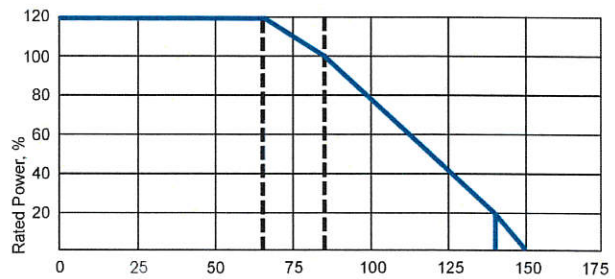
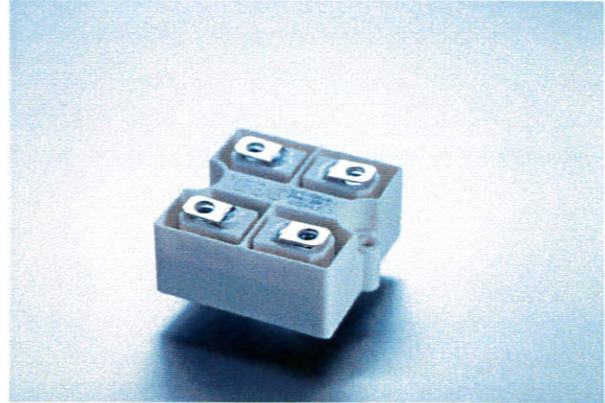
Series UPT 600

600 W Resistor · US Patent-No. 5,355,281

For variable speed drives, power supplies, control devices, robotics, motor control and other power devices, the easy mounting fixture guarantees an auto-calibrated pressure to the cooling plate of about 120 to 160 N. Materials in accordance with UL94-V0

Specifications

- Resistance values: 0.5 Ω to 1 MΩ
- Resistance tolerance: ±5% to ±10%, tighter tolerances are available upon request, with the reduction of the max. power/pulse rating. Please ask your local representative!
- Temperature coefficient: ±150 ppm/°C (others upon request)
- Maximum working voltage: 5,000 V DC, higher voltage upon request, not exceeding max. power
- Short time overload: 1,000 W at 70°C for 10sec., ΔR = 0.4% max. (for conf. 2 and 3)
- Power rating: up to 600 W at 85°C bottom case temperature, see configurations
- Electric strength voltage: 6 kVrms, 50 Hz, up to 12 kVrms or 23 kV DC upon special request.
- Dielectric strength between R1-R2: >5kV DC
- Single shot voltage: up to 12 kV norm wave (1.5/50 μsec)
- Partial discharge: 4 KVrms, <10 pC, up to 7 kV upon special request
- Insulation resistance: 10 GΩ min. at 500 V
- Inductance: -80 nH
- Capacity/mass: -110 pF
- Capacity/parallel: -40 pF
- Operating temperature: -55°C to +150°C
- Mounting - max. torque for contacts: 2 Nm
- Mounting - max. torque: 1.8 Nm, M4 screws
- For pulse power details, please see datasheet UXP-300, same as UXP-600, valid for configuration 2 and 3.
- For other configurations, please contact EBG.

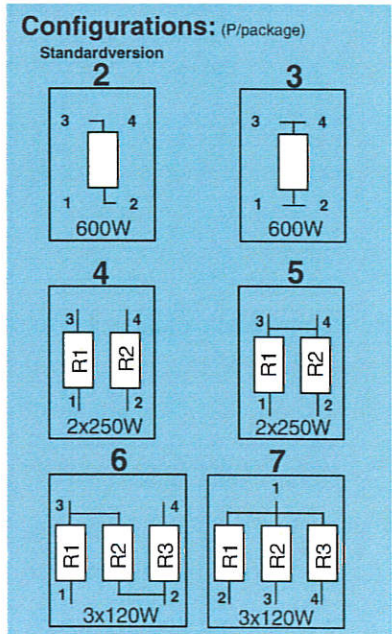
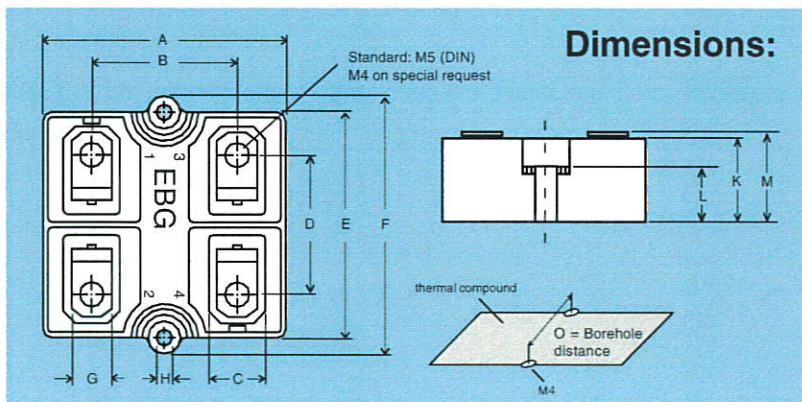


Bottom Case Temperature, °C,
Maximum Power Rating see UPT - Configurations

Derating (thermal resist.) UPT 600: 8.33W/°K (0.12°K/W) (for conf. 2 and 3)
Power rating: 600W at 85°C bottom case temp.*
Please ask for detailed mounting procedure!

* This value is only applicable if using thermal conduction to heat sink Rth-cs<0.025°K/W.
This value can be obtained by using a thermal transfer compound with a heat conductivity of 1 W/mK.
The flatness of the cooling plate must be better than 0.05 mm overall. Surface roughness should not exceed 6.4 μm.

Dim.	Millimeter		Inches	
	Min.	Max.	Min.	Max.
A	59.2	60.8	2.331	2.394
B	35.8	36.2	1.409	1.425
C	13.5	14.5	0.531	0.571
D	33.8	34.2	1.331	1.346
E	57.0	58.0	2.244	2.283
F	64.2	65.8	2.527	2.591
G	9.5	10.5	0.374	0.413
H	4.05	4.3	0.159	0.169
K	24.0	25.0	0.945	0.984
L	14.5	15.5	0.571	0.610
M	25.5	26.5	1.004	1.043
O	56.8	57.2	2.236	2.252



The above spec. sheet features our standard products. For further options, please contact our local EBG representative or contact us directly. For updated information, please visit our website!

Ultra High Power Resistors

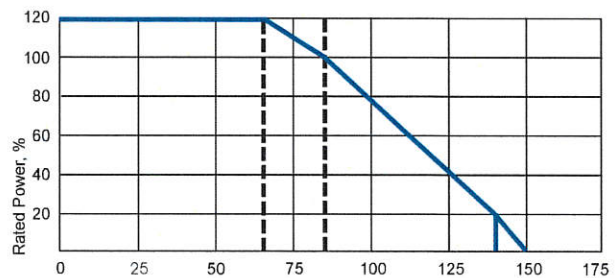
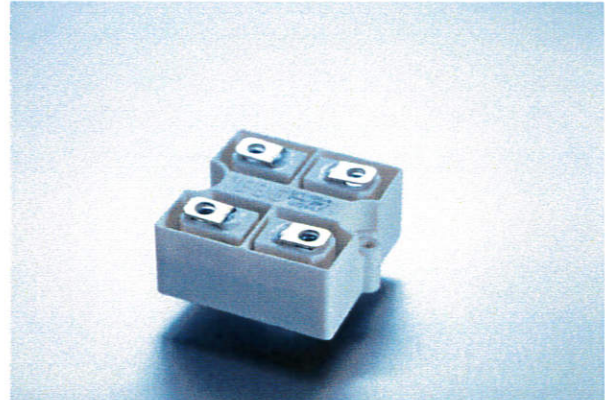
Series UPT 800

800 W Resistor · US Patent-No. 5,355,281

For variable speed drives, power supplies, control devices, robotics, motor control and other power designs, the easy mounting fixture guarantees an auto-calibrated pressure to the cooling plate of about 120 to 160 N. Materials in accordance with UL94-V0

Specifications

- Resistance values: 0.5 Ω to 1 MΩ
- Resistance tolerance: ±5% to ±10%, tighter tolerances are available upon request, with reduction of max. power/pulse rating. Please ask our local representative!
- Temperature coefficient: ±150 ppm/°C (others upon request)
- Maximum working voltage: 5,000 V DC, higher voltage upon request, not exceeding max. power
- Short time overload: 1,000 W at 70°C for 10sec., R = 0.4% max. (for conf. 2 and 3)
- Power rating: up to 800 W at 85°C bottom case temperature, see configurations
- Electric strength voltage: 6 kVrms, 50 Hz, up to 12 kVrms or 23 kV DC upon special request.
- Dielectric strength between R1-R2 : >5 kV DC
- Single shot voltage: up to 12 kV norm wave (1.5/50 µsec)
- Partial discharge: 4 KVrms, <10 pC, up to 7 kV upon special request
- Insulation resistance: 10 GΩ min. at 500 V
- Inductance: -80 nH
- Capacity/mass: -140 pF
- Capacity/parallel: -40 pF
- Operating temperature: -55°C to +150°C
- Mounting - max. torque for contacts: 2 Nm
- Mounting - max. torque: 1.8 Nm, M4 screws
- For pulse power details, please see datasheet UXP-300, same as UXP-600, valid for configuration 2 and 3. For other configurations, please contact EBG.

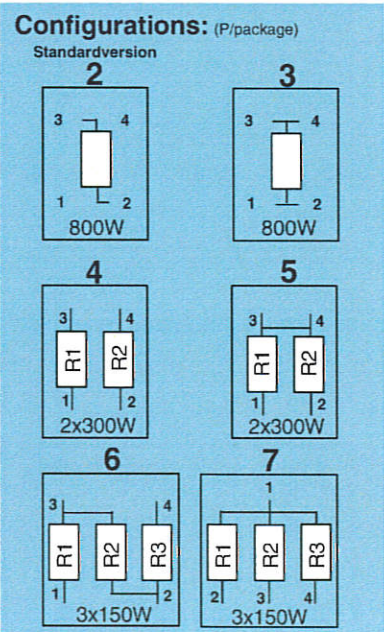
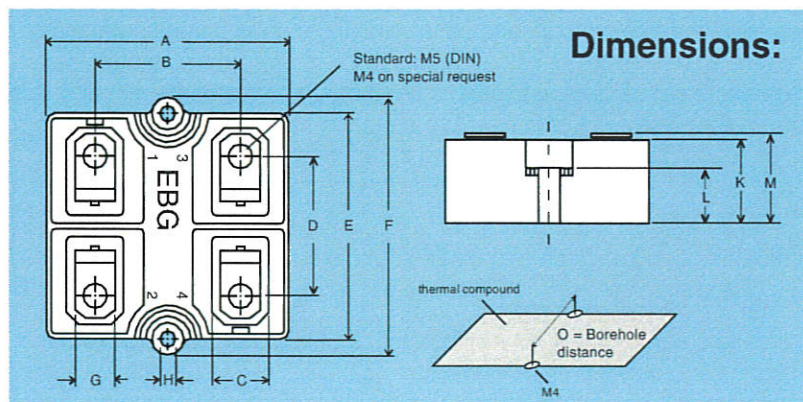


Bottom Case Temperature, °C,
Maximum Power Rating see UPT - Configurations

Derating (thermal resist.) UPT 800: 9.09W/°K (0.11°K/W) for conf. 2 and 3
Power rating: 800W at 85°C bottom case temp.*
Please ask for detailed mounting procedure!

* This value is only applicable if using thermal conduction to heat sink Rth-cs < 0.025°K/W. This value can be obtained by using a thermal transfer compound with a heat conductivity of 1 W/mK. The flatness of the cooling plate must be better than 0.05 mm overall. Surface roughness should not exceed 6.4 µm.

Dim.	Millimeter		Inches	
	Min.	Max.	Min.	Max.
A	59.2	60.8	2.331	2.394
B	35.8	36.2	1.409	1.425
C	13.5	14.5	0.531	0.571
D	33.8	34.2	1.331	1.346
E	57.0	58.0	2.244	2.283
F	64.2	65.8	2.527	2.591
G	9.5	10.5	0.374	0.413
H	4.05	4.3	0.159	0.169
K	24.0	25.0	0.945	0.984
L	14.5	15.5	0.571	0.610
M	25.5	26.5	1.004	1.043
O	56.8	57.2	2.236	2.252



The above spec. sheet features our standard products. For further options, please contact our local EBG representative or contact us directly. For updated information, please visit our website!

Ultra-High Pulse Load Resistors

Series UXM

400 W High Pulse Load Resistor

For variable speed drives, power supplies, control devices, robotics, motor control and other power designs, the easy mounting fixture guarantees an auto-calibrated pressure to the cooling plate of about 120 to 160 N.

General Characteristics

Electric support:

- High alumina ceramic metalized with EBG ALTOX film on bottom for better heat transfer and optimum discharge.

Encapsulation:

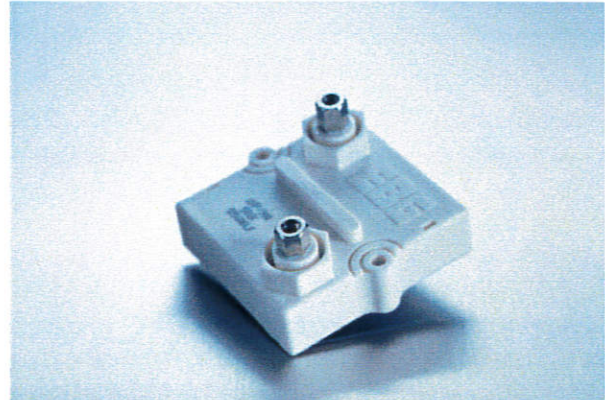
- Special resin-filled epoxy casing with large creeping distance to mass, large air distance between the terminals and high insulation resistance (CTI 600).

Contacts:

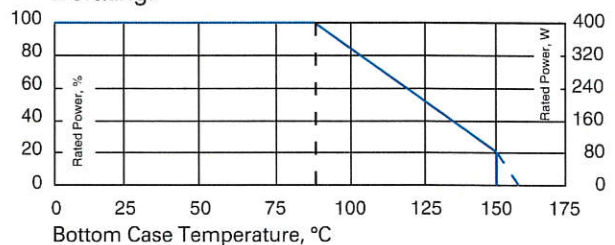
- Easy load connecting with M4 or M5 screws.
- Connector height (M+N) available from 25 to 42 mm.
- Various sleeves for increased creeping distance up to 85 mm or potted cable connections are available upon special request
- Materials in accordance with UL94-V0

Specifications

- Resistance values: 0.1 Ω to 5 Ω
- Resistance tolerance: $\pm 5\%$ to $\pm 10\%$ (others upon request)
- Temperature coefficient: +500 ppm/ $^{\circ}\text{C}$ typical (others upon request)
- Maximum working voltage: Depending on max. pulse load capability. Please ask for details!
- Short time overload: 600 W at 70 $^{\circ}\text{C}$ for 10 sec., $\Delta R = 0.4\%$ max.
- Power rating: 400 W at 85 $^{\circ}\text{C}$ bottom case temperature. (higher upon request)
- Electric strength voltage: Standard: 6 kV DC, up to 12 kV DC upon request
- Partial discharge: upon request
- Insulation resistance: 10 G Ω min. at 1000 V
- Creeping distance: 42 mm min.
- Air distance: 14 mm min.
- Inductance: 400 nH \div 1 μH (typical)
- Capacity/mass: 110 pF (typical)
- Operating temperature: -55 $^{\circ}\text{C}$ to +150 $^{\circ}\text{C}$
- Mounting - max. torque for contacts: 2 Nm
- Mounting- max. torque: 1.8 Nm M4 screws

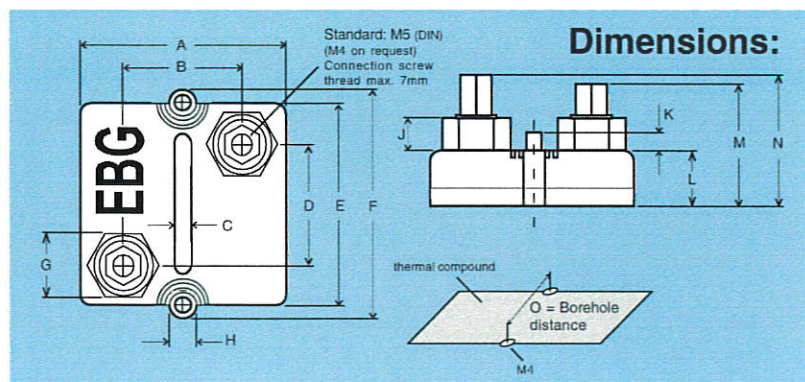


Derating:



Best results can be obtained by using a thermal transfer compound with a heat conductivity of better than 1 W/mK. The flatness of the cooling plate must be better than 0.05 mm overall. Surface roughness should not exceed 6.4 μm .

Test	Method	Typical results
Short time overload	1,000 W/10sec	0.4%
Humidity steady state	56 days/40 $^{\circ}\text{C}$ /95%	0.25%
Temp. cycling	-55/+125/5cycles	0.20%
Shock	40g/4,000 times	0.25%
Vibrations	2-500Hz/10g	0.25%
Load life 3,000cyl	Pn 30 min. on / 30 min off	0.40%
Terminal strengths f. contacts	200N	0.05%



Dim.	Millimeter		Inches	
	Min.	Max.	Min.	Max.
A	59.2	60.8	2.331	2.394
B	35.8	36.2	1.409	1.425
C	13.5	14.5	0.531	0.571
D	33.8	34.2	1.331	1.346
E	57.0	58.0	2.244	2.283
F	64.2	65.8	2.527	2.591
G	9.5	10.5	0.374	0.413
H	4.05	4.3	0.159	0.169
J	6.5	7.5	0.256	0.295
K	4.5	5.5	0.177	0.216
L	14.5	15.5	0.571	0.610
M	29.5	30.5	1.161	1.201
N	31.5	32.5	1.240	1.279
O	56.8	57.2	2.236	2.252

The above spec. sheet features our standard products. For further options, please contact our local EBG representative or contact us directly. For updated information, please visit our website!

Materialvergleich / material comparison

Material	Colour	RoHS compl.	SVHC	Flammability	CTI	NF X 70-100	ISO 4589-2	ISO 5659-2
Crastin HTI 668 FR	nature	yes	compliant	UL94-V0 >1,6mm	> 600	n/a	n/a	n/a
Grilon TSG-30/4 V0	nature	yes	compliant	UL94-V0 all	> 600	F2 (0,47)	I3 /33,4)	146,3