

High Voltage Resistors

High Voltage Flat Style Resistor Series FSX, FEX and FBX

TC of 80ppm/°C combined with Precision Tolerances (0.5%-10%) and wide Ohmic Range (200Ω-2GΩ)

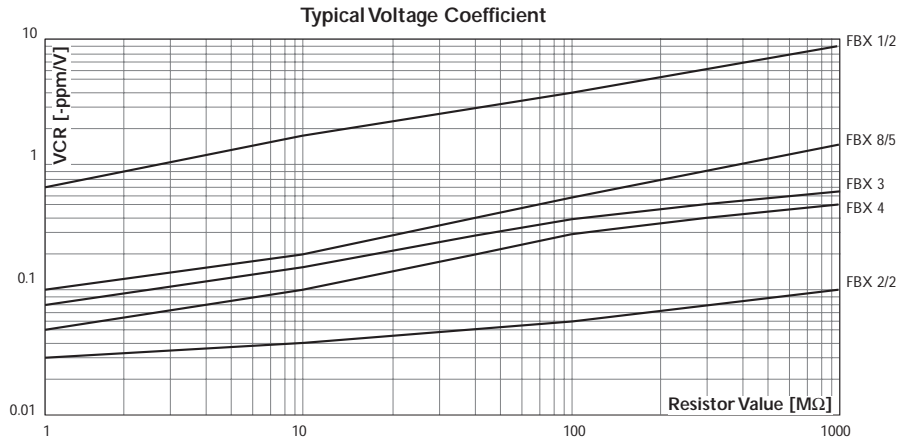
These are the low cost high voltage resistors that provide high density packaging in large volume applications.

- 3 different coatings available
 - Series FSX with conformal silicone for high temperature operation (225°C)
 - Series FEX with epoxy coat for maximal moisture protection
 - Series FBX with surface silicone print as an inexpensive alternative
- High Voltage Withstanding up to 24,000 Volts
- 6 different sizes
- Thickness max. 3mm (0.118 inch) only for High Density Packaging
- Non Inductive Design

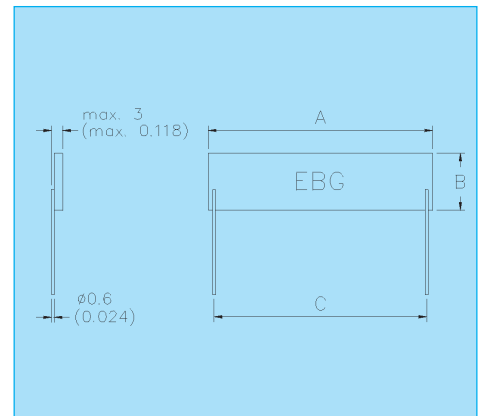
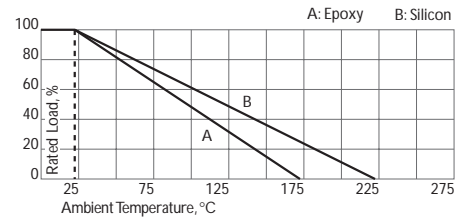
Specifications:

- Resistance Range: 200Ω to 2GΩ
- Resistance Tolerance: ±0.5% to ±10%
- Temp. Coefficient (up to 100MΩ): ±80 ppm/°C from -5°C to +105°C referenced to +25°C

- Max. Operating Voltage: "S" on request up to 35% higher than listed (please contact your local representative)
- Voltage Coefficient (typically): see below



	Model No.	Watt-age	Max. Continuous Oper. Volt.	Dimensions in millimeters		
				Dimensions in inches	B (max.)	C
Series FBX with Surface Silicone Print	FBX1/2	0.50	4,000	12.90 0.51	3.40 0.13	10.20 0.40
	FBX5/5	0.65	6,000	17.15 0.68	3.40 0.13	15.24 0.60
	FBX8/5	1.60	8,000	25.60 1.01	5.30 0.21	22.90 0.90
	FBX3	3.00	12,000	38.30 1.51	6.60 0.26	35.50 1.4
	FBX4	4.00	15,000	51.00 2.01	6.60 0.26	48.20 1.9
	FBX2/2	5.00	22,000	51.00 2.01	12.90 0.51	48.20 1.9
Series FEX with Epoxy Protection	FEX1/4	0.25	4,000	13.80 0.54	5.00 0.20	10.20 0.40
	FEX5/5	0.35	7,000	19.05 0.75	5.08 0.20	15.24 0.60
	FEX4/5	0.80	9,000	26.10 1.03	6.70 0.26	22.90 0.9
	FEX3/2	1.50	13,000	38.90 1.53	7.90 0.31	35.50 1.40
	FEX2	2.00	17,000	51.50 2.03	8.10 0.32	48.20 1.90
	FEX2/2	3.00	24,000	51.50 2.03	14.40 0.57	48.20 1.90
Series FSX with Conformal Silicone Protection	FSX1/2	0.50	4,000	13.60 0.54	4.50 0.18	10.2 0.40
	FSX5/5	0.65	6,000	17.85 0.70	4.50 0.18	15.24 0.60
	FSX8/5	1.60	8,000	25.90 1.02	6.30 0.25	22.90 0.90
	FSX3	3.00	12,000	38.70 1.52	7.50 0.30	35.50 1.40
	FSX4	4.00	15,000	51.3 2.02	7.50 0.30	48.20 1.90
	FSX2/2	5.00	22,000	51.30 2.02	14.20 0.56	48.2 1.90



In the above spec sheet, you will find our standard product, please contact your local manufacturing representative or call us direct to find out details of other options available regarding this style: