

Customer: Pankaj Electronics

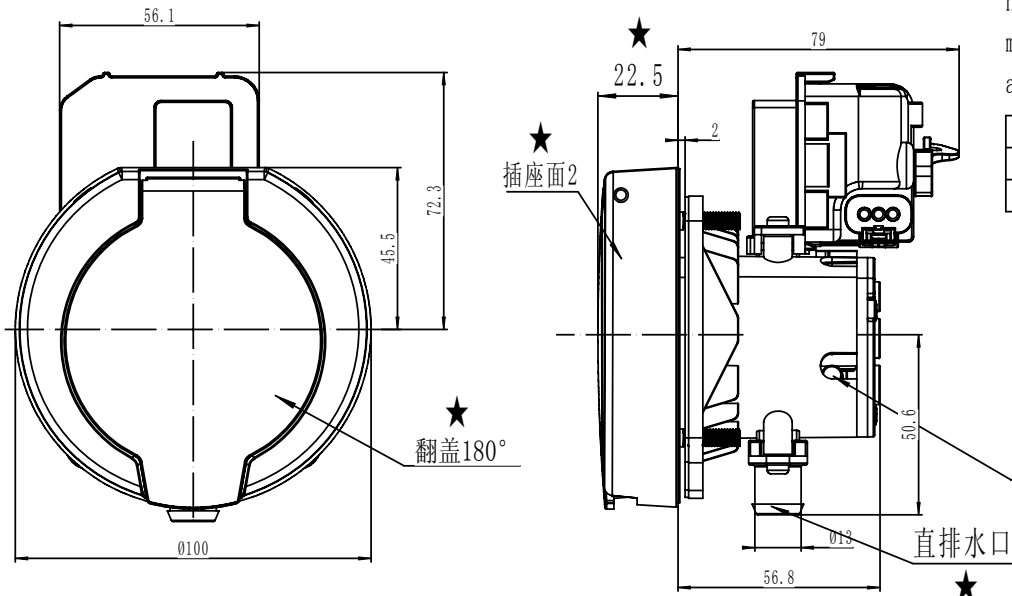
# Type2 socket+HL 32A/480V AC

Ver	ECN	MARK	DESCRIPTION	DATE	APP	CHK
B						
C						

nominal voltage: 12V DC  
 no load current:  $\leq 250\text{ma}$   
 maximal current: 3.2A  
 actuating time:  $40\text{ms} < t < 200\text{ms}$

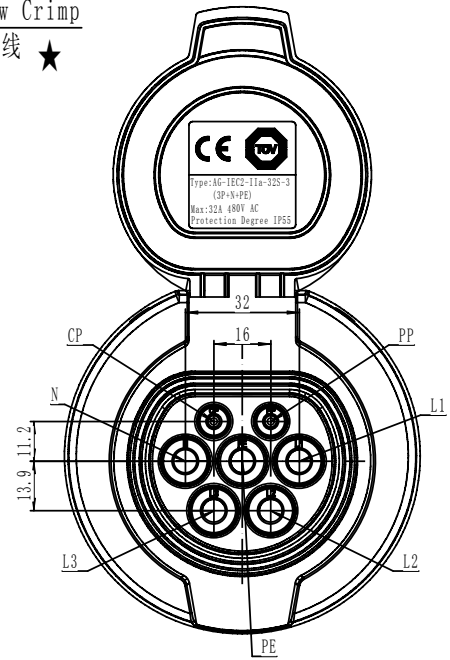
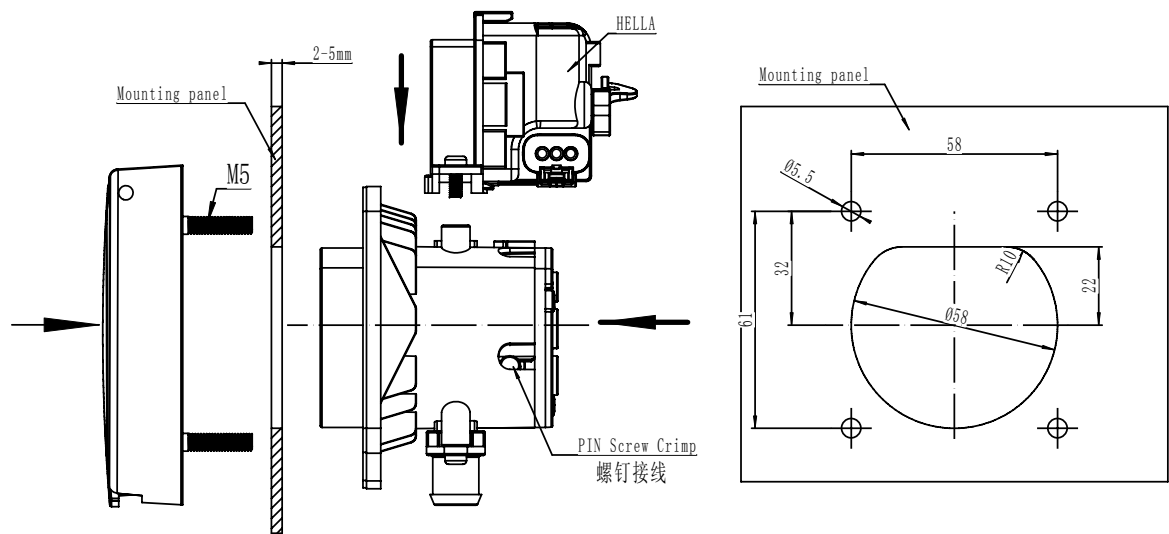
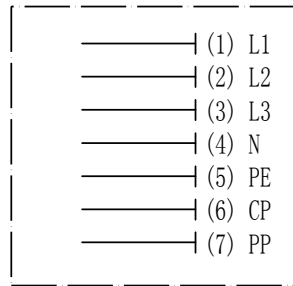
E-LOCK	PIN 3	PIN 1	PIN 2
UNLOCKING	+12V DC	0V	SIGNAL ON
LOCKING	0V	+12V DC	SIGNAL OFF

Technical parameters  
 Current and Voltage : 32A 480V AC  
 Signal current : 2A 30V  
 Protection Degree : IP55



PIN Screw Crimp  
 螺钉接线

mode of connection



Cable specification

Function	32A 480V AC
L1 (1)	screw crimp 6 mm <sup>2</sup>
L2 (2)	screw crimp 6 mm <sup>2</sup>
L3 (3)	screw crimp 6 mm <sup>2</sup>
N (4)	screw crimp 6 mm <sup>2</sup>
PE (5)	screw crimp 6 mm <sup>2</sup>
CP (6)	screw crimp 0.5 mm <sup>2</sup>
PP (7)	screw crimp 0.5 mm <sup>2</sup>

32A 3P+N+PE+PP+CP

The socket , was designed according to the standard of IEC 62196-2 sheet 2-IIa

DWG. SYM	S A C	PROJ. SYM		
MATL	Specifications	WEIGHT	NAME	Charging connectors
DESIGNED	CHECK	STDCHECKED	DRAW NO	AG-IEC2-IIa2-32S-3
CHECKED	PROCESS	APPROVED	PART NO	SHEET X OF X