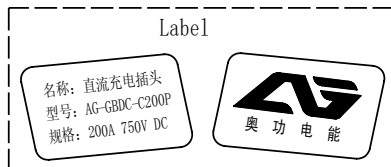
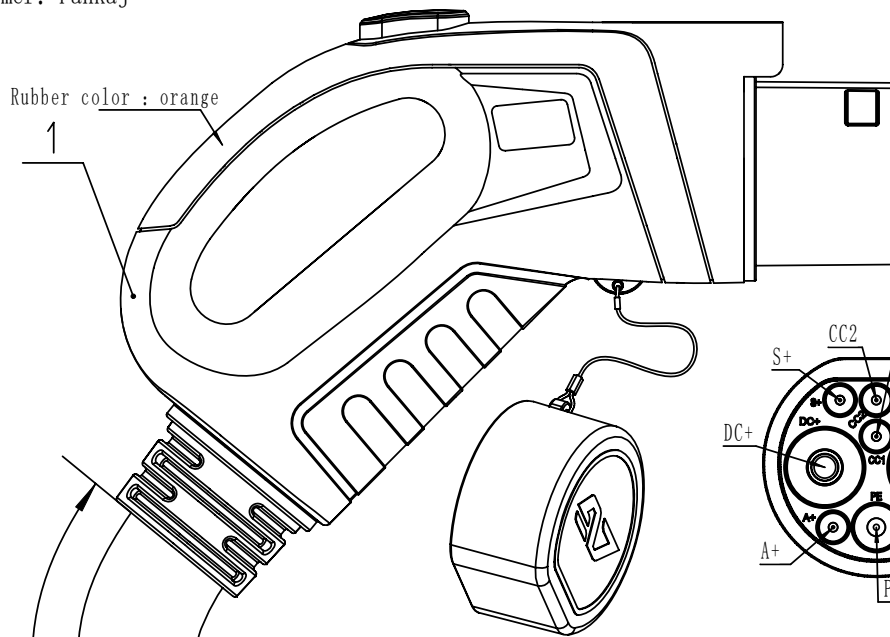
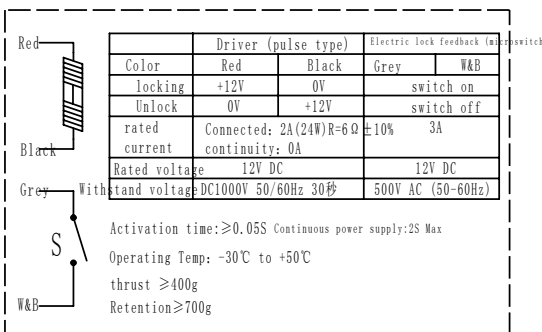


Customer: Pankaj



Technical parameters  
Current: 200A  
Voltage: 750V DC  
insulation resistance: >500MΩ (DC 1000V)  
contact resistance: 0.5 mΩ Max  
Withstand voltage: 3500V AC 1min  
Flame retardant grade: UL94 V-0  
Insert force: F<140N  
Mechanical life: 10000次 (no-load)  
Protection: IP55 (working)  
Thermoplastic  
pin: Copper alloy, silver plated surface  
operating temp: -30°C - +50°C

Schematic diagram of Electromagnetic control

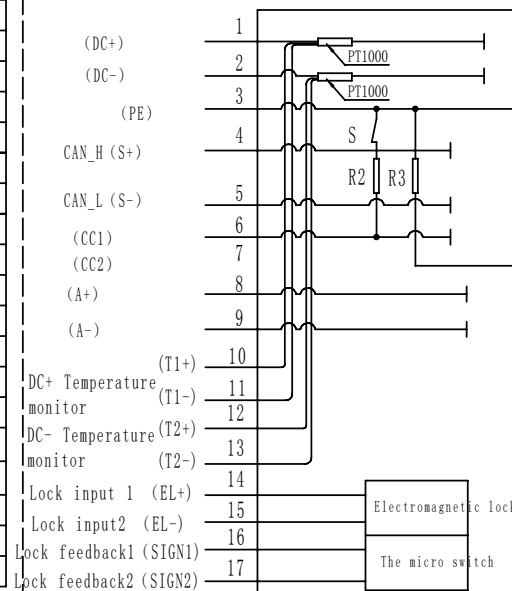


Cable specification

Function	Color	200A 750V DC	Terminal
DC+ (1)	Brown	70 mm <sup>2</sup>	JG70-10
DC- (2)	Blue	70 mm <sup>2</sup>	JG70-10
PE (3)	Y&G	25 mm <sup>2</sup>	JG25-8
S+ (4)	Blue	0.75 mm <sup>2</sup>	twist pairs shield E1508(R)
S- (5)	Green	0.75 mm <sup>2</sup>	
CC1 (6)	White	0.75 mm <sup>2</sup>	E1508(R)
CC2 (7)	Orange		
A+ (8)	Red	4 mm <sup>2</sup>	E4009(R)
A- (9)	Black	4 mm <sup>2</sup>	E4009(R)
T1+ (10)	Yellow	0.75 mm <sup>2</sup>	E1508(R)
T1- (11)	Brown	0.75 mm <sup>2</sup>	E1508(R)
T2+ (12)	Pink	0.75 mm <sup>2</sup>	E1508(R)
T2- (13)	Purple	0.75 mm <sup>2</sup>	E1508(R)
EL+ (14)	Red	0.75 mm <sup>2</sup>	E1508(R)
EL- (15)	Black	0.75 mm <sup>2</sup>	E1508(R)
SIGN1 (16)	Grey	0.75 mm <sup>2</sup>	E1508(R)
SIGN2 (17)	W&B	0.75 mm <sup>2</sup>	E1508(R)
Shield (18)		two pairs one tunel	

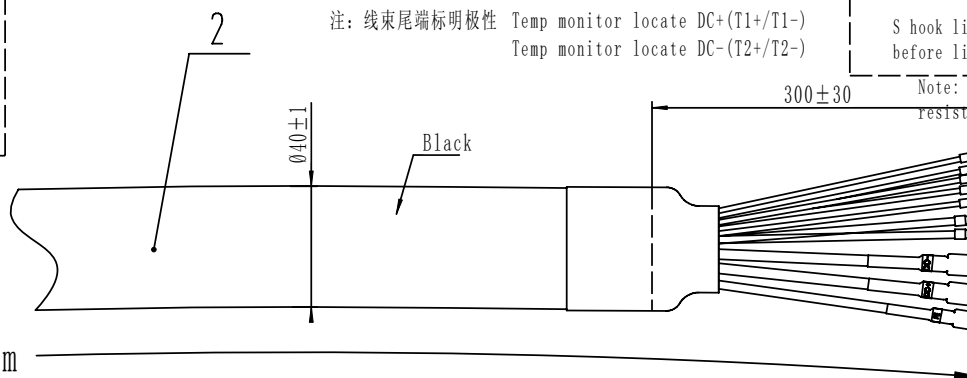
注: 线束尾端标明极性  
Temp monitor locate DC+(T1+/T1-)  
Temp monitor locate DC-(T2+/T2-)

Mode of connection



S hook linkage switch (normally closed), disconnect before lifting the hook by 1.5mm

Note: R2 equivalent resistance 1000Ω 1W R3 equivalent resistance 1000Ω 1W



Plug was design according to GB/T 20234.3-2015  
charging cable 5000mm 2×70+1×25+2×4+(4×0.75) (P2)+8×0.75

2	充电线缆	1	2×70+1×25+2×4+(4×0.75) (P2)+8×0.75	黑色	OLR3281-BK	
1	直流充电插头	1	AG-GBDC-C-P	黑色 (包胶橙色)		
序号 pos	图号 DRAW NO.	名称 DESIGNATION	数量 AMOUNT	材料\规格 MATERIAL\SPECIFICATION	外观\颜色 APPEARANCE\COLOUR	备注 REMARKS
图样标记 DWG. SYM	S A	投影标记 PROJ. SYM		江苏奥功电能科技有限公司		
规格书			重量 WEIGHT	名称 NAME 国标直流充电插头总成		
设计 DESIGNED	日期	审核 CHECK	日期	标准化 STD.CHECKED	日期	图号 DRAW NO. AG-GBDC-C200P
校对 CHECKED	日期	工艺 PROCESS	日期	批准 APPROVED	日期	品号 PART NO.
				纸幅 SIZE A3	比例 SCALE	第 张 共 张 SHEET OF